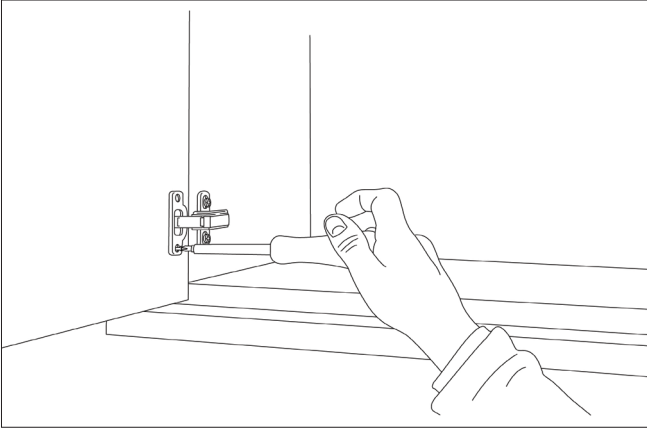
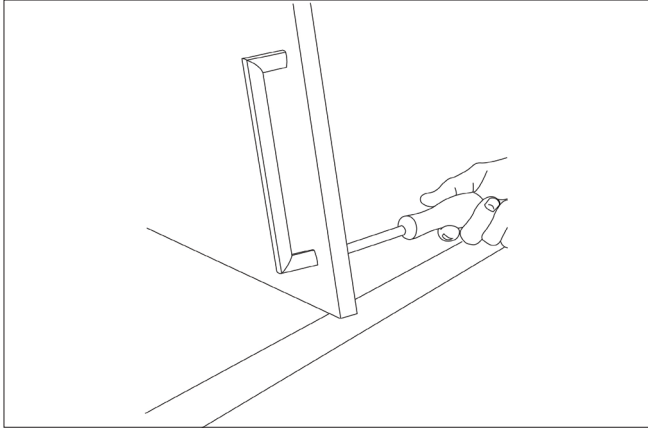


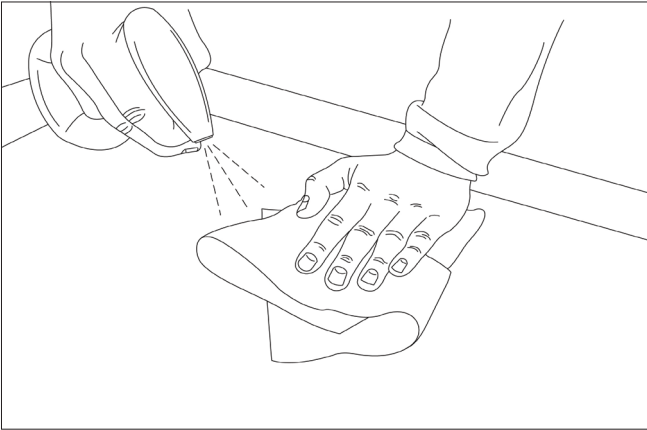
HOW TO COVER FLAT CUPBOARD DOORS



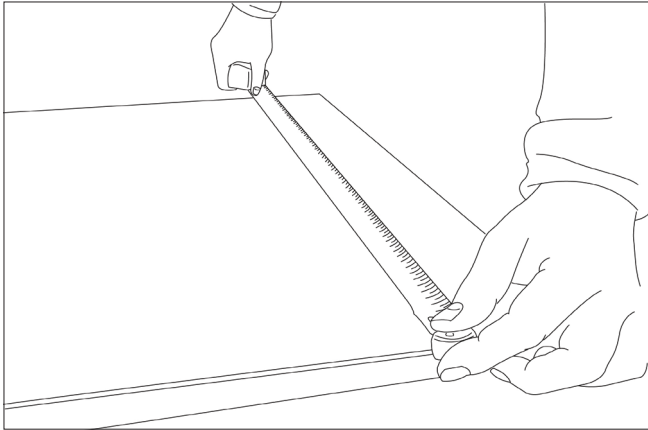
1. Remove doors



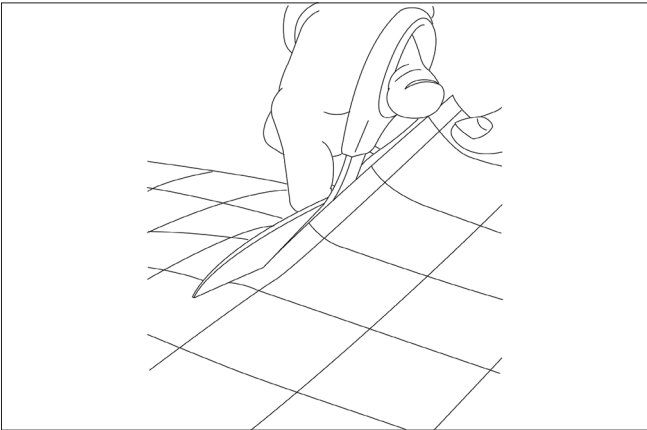
2. Remove handles



3. Clean surface



4. Measure



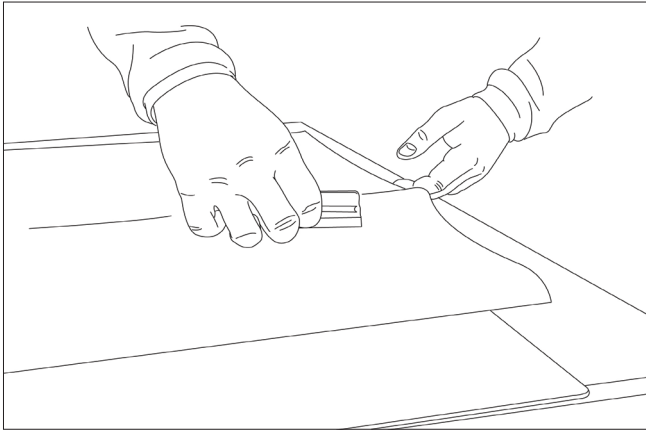
5. Cut



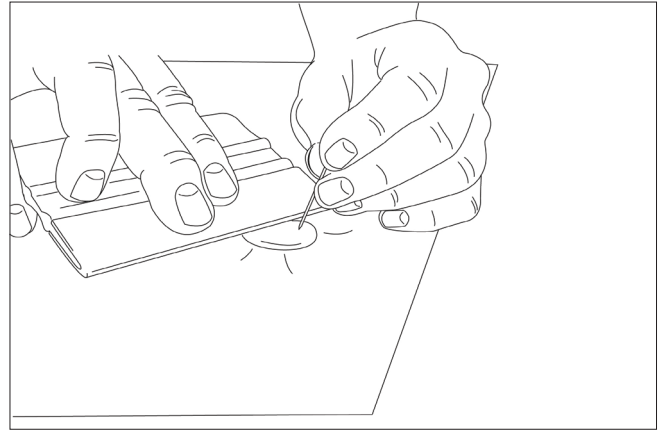
6. Peel backing paper



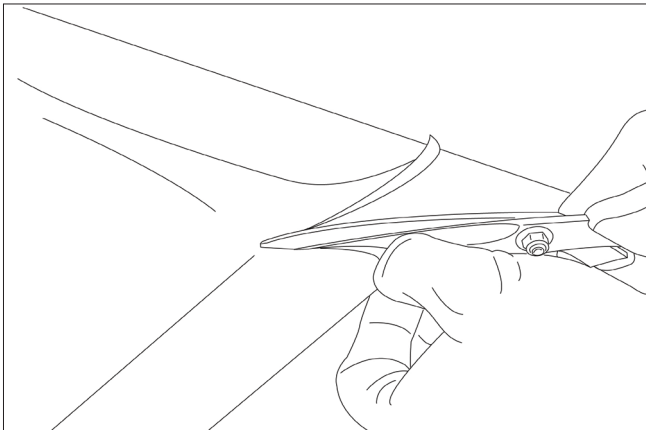
HOW TO COVER FLAT CUPBOARD DOORS



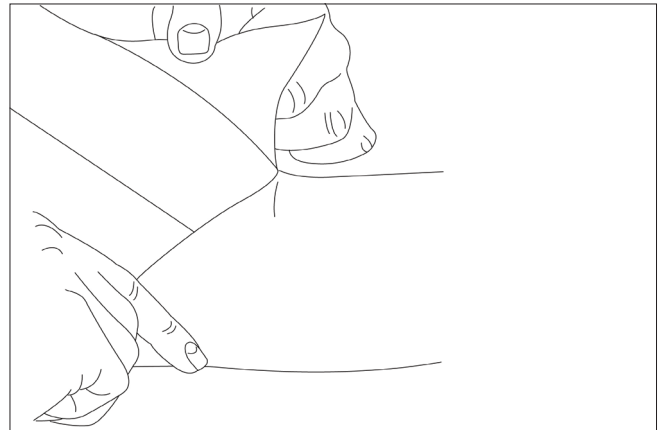
7. Smooth into place



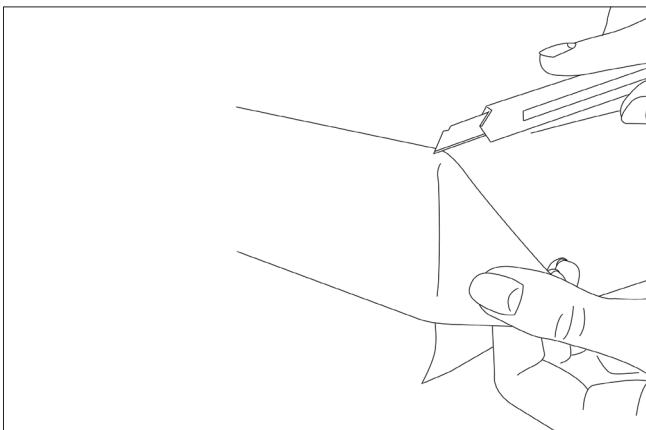
8. Prick with pin to remove air bubbles



9. Cut into corner



10. Fold flaps around corner



11. Trim away the excess